

TABLE SPANNER "GRABS"

The "Grabs" is mounted under the table top to connect tables by pulling/strapping rubber band around connector hooks. The elastic rubber bands will pull and hold the table tops together. When not in use the rubber band is easily swiveled back and kept in place with an extra hook connector.

The rubber bands come in two lengths. The long 352 mm version is ideal for tables with frames where there is no space for a classic table top connector. The short 176 mm version is to be used on table tops without frame.

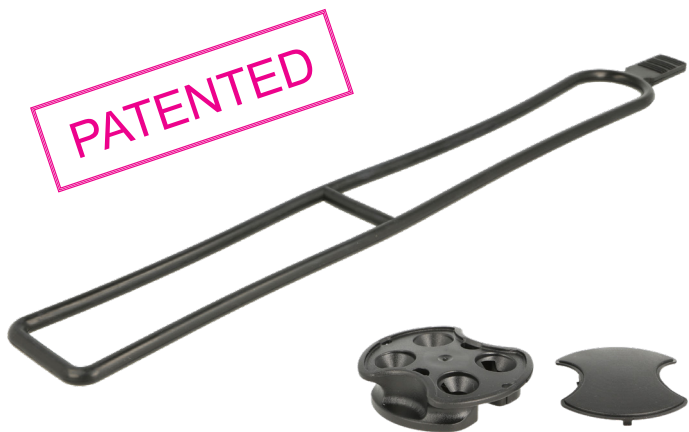
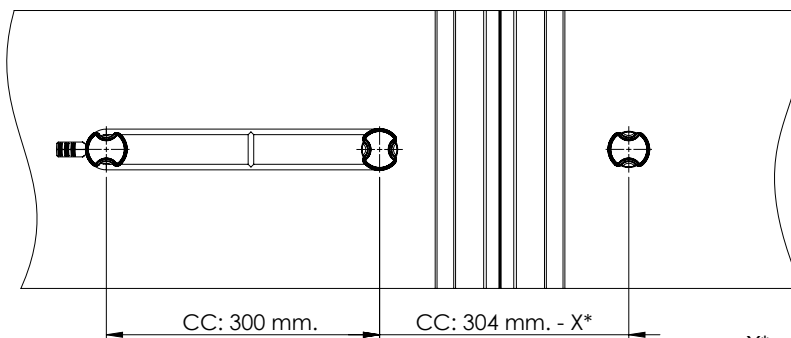


TABLE SPANNER "GRABS" - 352 MM

Material:
 Connector – black PC/ABS
 Rubber band – black EPDM

Item No.:
 Connector hook # 24.03.050
 Rubber band 352 mm # 24.03.056



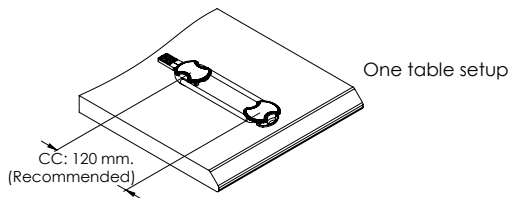
X* = Distance lost on table frame.
 CC = Center to Center

TABLE SPANNER "GRABS"

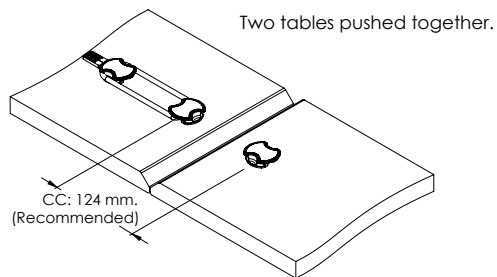
TABLE SPANNER "GRABS" - 176 MM

Material:
Connector – black PC/ABS
Rubber band – black EPDM

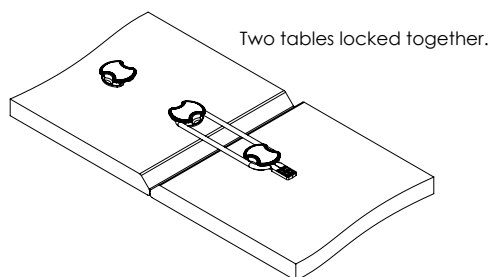
Item No.:
Connector hook # 24.03.050
Rubber band 176 mm # 24.03.055



One table setup



Two tables pushed together.



Two tables locked together.



SISO A/S

Mileparken 11 Phone: (+45) 45 830 900
DK - 2740 Skovlunde (Copenhagen) E-mail: siso@siso.dk
Denmark Web: www.siso.dk